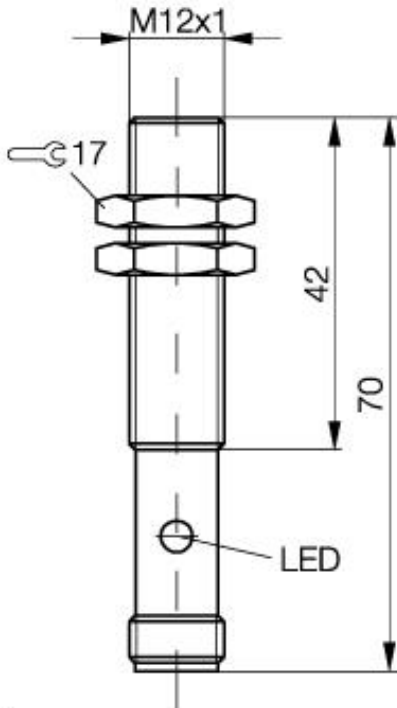


**Photoelectric Sensor
BLS 12M-XX-1RD-S 4-L
Sn=5000mm
through-beam**



PX1252

Common Data

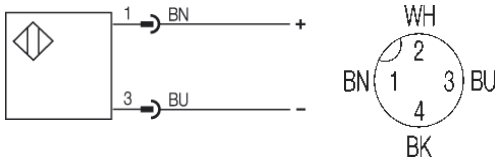
Series	12M
Sensortype	through-beam
Rated operating distance Sn in mm	5000
asured operating distance Sa	adjustable
Ambient temperature	-15...+55°C
Off-delay	< 5ms
Light	Red light
Permissible ambient light	5000 Lux

Mechanical Data

Measurements	M12x70
Housing material	nickel plated brass
Material of sensing face	PMMA
Degree of protection	IP67
Connection	Connector S4 (M12)
Weigth	30g
Recommended connector	BKS-S20-1

Electrical Data

Current	DC
Rated operational voltage Ue	24V DC
Supply Voltage	10...30V DC
Ripple	< 10% from UB
Frequency of Supply Voltage	DC
No-load supply current	<20mA
Voltage drop	<2,5V
Protected against polarity reversal	yes
Rated insulation voltage	250V AC
Output resistance	33kOhm
max. Load capacity	1µF



Utilization categories
Insulation class

DC 13
I

Datasheet number:

Definitions see general catalog.
If not otherwise noted, ratings according to
IEC 60947-5-2 (DIN EN60947-5-2)

Balluff GmbH
Schurwaldstrasse 9
73765 Neuhausen a.d.F.
Phone (07158) 173-0 Fax (07158) 5010

Datenblatt by CD-ROM - 04/2007

BALLUFF
sensors worldwide